

## Brilliant Imaging.

Crystal clear optics provide vivid projections up to 75ft. (22m) away! With 75W of power supplied by an external driver, the Image Spot HO LED projector features an incredible amount of light output from its versatile and compact design.

Image Spot HO is available in warm white (3000K) and cool white (5500K) models, and its multiple mounting options and IP65 rating make it easy to install in any environment.

Four specifiable beam optics make the Image Spot HO the go-to solution for demanding gobo or spotlight applications, including museums, themed environment, and hospitality venues.



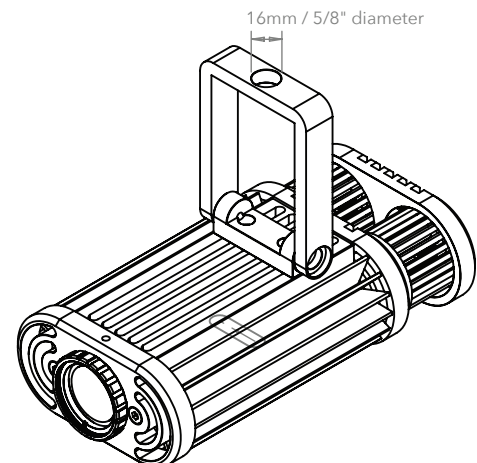
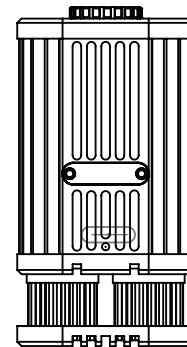
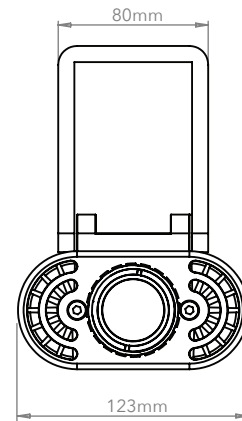
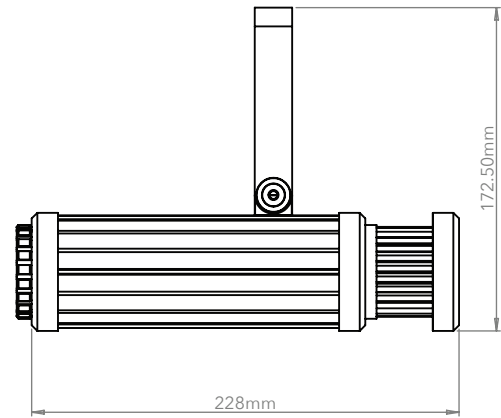
## KEY FEATURES

- A high quality LED array, driven at 75 watts, for bright and long-lasting gobo projections
- 10°, 19°, 25° or 30° beam optics provide superb image uniformity and fringe-free shadows
- IP65 rating allows for indoor or outdoor applications
- External driver accepts universal line voltage input for operation anywhere around the globe
- 0-10V, onboard potentiometer and other dimming options available through specifiable external driver
- Passive cooling for silent operation
- Accepts Rosco Image Spot Gobos and Permacolor Dichroic Glass Color Filters

## SPECIFICATIONS

### Luminaire

|                      |  |
|----------------------|--|
| Input Voltage:       | Minimum 39VDC (from external driver)   |
| Power Consumption:   | 75 Watts at maximum output   |
| Color Temp. Options: | 5500K or 3000K   |
| CRI:                 | 5500K Model: 80<br>3000K Model: 95   |
| Output:              | 5500K Model: 2900 lumens estimated<br>3000K Model: 1600 lumens estimated   |
| Lumen Maintenance:   | 50,000 hours at 45°C (LM-79-08)  |
| Power Connection:    | 6.5 ft (2m) hybrid data/mains cable (IP65)   |
| Dimming:             | Provided through external driver   |
| Dimensions:          | Image Spot HO (including yoke): 8.9 in x 4.8 in x 6.8 in (228mm x 123mm x 172.5mm)<br>Yoke center hole: 5/8" diameter (16mm) |
| Weight:              | Image Spot HO: 4.4lbs (2kg)<br>Image Spot HO with external driver: 5.9lbs (2.7kg)  |
| Operating Temp.:     | -13° to 104° F (-25° to 40° C)   |
| Humidity:            | 0 - 95% non-condensing   |
| Housing:             | Anodized Aluminum Extrusion  |
| Approvals:           | ETL / UL Standards #62368-1 and #60950-22<br>cETL / CSA C22.2 #62368-1 and #6095-22<br>CE<br>IP65 Rated (outdoor use)        |



## SPECIFICATIONS

### External Drivers

|                         |   |
|-------------------------|---|
| Power Input:            | 100-305 VAC   |
| AC Current Input:       | 0.7A / 115VAC, 0.45A / 230VAC, 0.38A/277VA                    |
| Power factor:           | PF_0.97/115VAC, PF_0.95/230VAC,<br>PF_0.92/277VAC (full load) |
| Output:                 | 1400mA, 27-54VDC  |
| Efficiency:             | 90%   |
| Dimensions:             | 7 in x 2.5 in x 1.4 in<br>(180mm x 63mm x 35.5 mm)            |
| Weight:                 | 1.5lbs (.68kg)  |
| Power/Data Connections: | Unterminated leads 12 in. (30cm)                              |
| Approvals:              | Compliant with Safety Extra Low Voltage<br>(SELV) standard.   |



### Image Spot HO Driver, Dimmable, 3-in-1

|                |        |                  |   |
|----------------|--------|------------------|---|
| IP rating:     | IP65   | Dimming control: | 0-10VDC - 10V PWM Signal - 10K Resistance |
| Dimming range: | 8~100% |                  |   |

### Image Spot HO Driver, Dimmable, DALI

|                |        |                  |                         |
|----------------|--------|------------------|-------------------------|
| IP rating:     | IP67   | Dimming control: | DALI Control Technology |
| Dimming range: | 8~100% | Channels:        | 1                       |

### Image Spot HO Driver, Dimmable, Onboard Potentiometer

|                |        |                  |                       |
|----------------|--------|------------------|-----------------------|
| IP rating:     | IP65   | Dimming control: | Onboard Potentiometer |
| Dimming range: | 8~100% |                  |                       |

## Specification Order Codes

| UNIT          | CCT                                   | Finish                       | Dimmable Driver   | Mounting  | Lens  |
|---------------|---------------------------------------|------------------------------|---|---|---|
| Image Spot HO | 3 - 3000K<br>5 - 5500K<br>O - Custom* | B - Black<br>O - Custom RAL* | O - Onboard Potentiometer<br>3 - 3-in-1 Control**<br>D - DALI | F - Full Yoke<br>L - Floor Mount<br>W - Wall Mount<br>C - Ceiling Mount<br>P - Pole Mount | T - 10 degree<br>1 - 19 degree<br>2 - 25 degree<br>3 - 30 degree<br>N - No Lens |

### Example:

ImageSpot HO — 3 — B — 3 — F — T

ie. ImageSpot HO-3B3FT =  
Image Spot HO, 3000K, Black, 3-in-1 Dimmable Driver, Full Yoke, 10 degree Lens

\*Custom color temperature and/or finish are available with minimum order quantity, price difference and longer lead time. For more information please contact [Project.Management@Rosco.com](mailto:Project.Management@Rosco.com)

\*\*3-in-1 Dimmable Driver provides 0-10V, 10V PWM, and resistance dimming control options

Name: \_\_\_\_\_ Date: \_\_\_\_\_

Company Name: \_\_\_\_\_

Project: \_\_\_\_\_

| Image Spot® HO Accessories |   |
|----------------------------|---|
| Item Code                  | Description   |
| 296 00001 0013             | Image Spot OPTI-FLECS Filter Pack                       |
| 296 00001 0052             | Image Spot Lens Cover Kit                               |
| 296 00001 0012             | Image Spot Safety Cable, 3ft (1m)                       |
| 296 00000 5101             | Rosco Pole Mount Accessory - Black                      |
| 296 00000 5102             | Rosco Pole Mount Accessory - White                      |
| 296 00000 5003             | 24" Stainless Steel Strap Rosco Pole Mount Kit - 3-Pack |
| 296 00000 5104             | Rosco Wall Mount Accessory - Black                      |
| 296 00000 5105             | Rosco Wall Mount Accessory - White                      |

## Image Spot Gobos & Permacolor Filters

For optimum image quality and performance, use Rosco Image Spot Gobos and Permacolor Filters, which feature custom bezels enable a secure fit inside the Image Spot gobo cassette.

| Image Spot® HO Gobos  |   |
|-----------------------|---|
| Item Code             | Description   |
| <b>Standard Gobos</b> |   |
| XXXXX-SPOT            | Image Spot Standard Gobo<br>XXXXX = The five digit standard gobo number |
| <b>Custom Gobos</b>   |   |
| 250 72101 SPOT        | Image Spot Custom Steel Gobo  |
| 260 CUSBW OSPO        | Image Spot Custom B&W Glass Gobo  |
| 260 CUS1C OSPO        | Image Spot Custom One-Color Glass Gobo                                  |
| 260 CUS2C OSPO        | Image Spot Custom Two-Color Glass Gobo                                  |
| 260 CUSMC OSPO        | Image Spot Custom Multi-Color Glass Gobo                                |

| Permacolor™ Dichroic Filters |  |
|------------------------------|--|
| Item Code                    | Description  |
| XXXXX-SPOT                   | Image Spot Permacolor Dichroic Glass Filter<br>XXXXX = the four digit color number<br>(includes bezel to fit inside gobo cassette) |

### PHOTOMETRIC DATA FOR 3000K 10°

| Mounting Height |        | Cone of Light Tabulation |  | LUX   | Footcandles at Nadir | Diameter |        |
|-----------------|--------|--------------------------|--|-------|----------------------|----------|--------|
| Feet            | Meters |                          |  |       |                      | Feet     | Meters |
| 4.00            | 1.2    |                          |  | 14672 | 1363                 | 0.574    | .2     |
| 6.00            | 1.8    |                          |  | 6521  | 605                  | 0.869    | .3     |
| 8.00            | 2.4    |                          |  | 3668  | 340                  | 1.148    | .35    |
| 10.00           | 3.0    |                          |  | 2437  | 218                  | 1.444    | .4     |
| 12.00           | 3.6    |                          |  | 1630  | 151                  | 1.722    | .5     |
| 14.00           | 4.2    |                          |  | 1197  | 111                  | 2.018    | .6     |
| 16.00           | 4.8    |                          |  | 917   | 85                   | 2.313    | .7     |

### PHOTOMETRIC DATA FOR 5500K 10°

| Mounting Height |        | Cone of Light Tabulation |  | LUX   | Footcandles at Nadir | Diameter |        |
|-----------------|--------|--------------------------|--|-------|----------------------|----------|--------|
| Feet            | Meters |                          |  |       |                      | Feet     | Meters |
| 4.00            | 1.2    |                          |  | 24920 | 2315                 | .574     | .2     |
| 6.00            | 1.8    |                          |  | 11076 | 1029                 | .869     | .3     |
| 8.00            | 2.4    |                          |  | 6230  | 579                  | 1.148    | .35    |
| 10.00           | 3.0    |                          |  | 3987  | 370                  | 1.444    | .4     |
| 12.00           | 3.6    |                          |  | 2769  | 257                  | 1.722    | .5     |
| 14.00           | 4.2    |                          |  | 2034  | 189                  | 2.018    | .6     |
| 16.00           | 4.8    |                          |  | 1557  | 145                  | 2.313    | .7     |

### PHOTOMETRIC DATA FOR 3000K 19°

| Mounting Height |        | Cone of Light Tabulation |  | LUX  | Footcandles at Nadir | Diameter |        |
|-----------------|--------|--------------------------|--|------|----------------------|----------|--------|
| Feet            | Meters |                          |  |      |                      | Feet     | Meters |
| 4.00            | 1.2    |                          |  | 4722 | 439                  | 1.263    | .4     |
| 6.00            | 1.8    |                          |  | 2099 | 195                  | 1.903    | .6     |
| 8.00            | 2.4    |                          |  | 1181 | 110                  | 2.543    | .8     |
| 10.00           | 3.0    |                          |  | 755  | 70                   | 3.182    | 1      |
| 12.00           | 3.6    |                          |  | 524  | 49                   | 3.806    | 1.2    |
| 14.00           | 4.2    |                          |  | 385  | 36                   | 4.445    | 1.4    |
| 16.00           | 4.8    |                          |  | 295  | 27                   | 5.085    | 1.6    |

### PHOTOMETRIC DATA FOR 5500K 19°

| Mounting Height |        | Cone of Light Tabulation |  | LUX  | Footcandles at Nadir | Diameter |        |
|-----------------|--------|--------------------------|--|------|----------------------|----------|--------|
| Feet            | Meters |                          |  |      |                      | Feet     | Meters |
| 4.00            | 1.2    |                          |  | 8020 | 745                  | 1.263    | .4     |
| 6.00            | 1.8    |                          |  | 3564 | 331                  | 1.903    | .6     |
| 8.00            | 2.4    |                          |  | 2005 | 186                  | 2.543    | .8     |
| 10.00           | 3.0    |                          |  | 1283 | 119                  | 3.182    | 1      |
| 12.00           | 3.6    |                          |  | 891  | 83                   | 3.806    | 1.2    |
| 14.00           | 4.2    |                          |  | 655  | 61                   | 4.445    | 1.4    |
| 16.00           | 4.8    |                          |  | 501  | 47                   | 5.085    | 1.6    |

### PHOTOMETRIC DATA FOR 3000K 25°

| Mounting Height |        | Cone of Light Tabulation |  | LUX  | Footcandles at Nadir | Diameter |        |
|-----------------|--------|--------------------------|--|------|----------------------|----------|--------|
| Feet            | Meters |                          |  |      |                      | Feet     | Meters |
| 4.00            | 1.2    |                          |  | 2505 | 232                  | 1.838    | .6     |
| 6.00            | 1.8    |                          |  | 1113 | 103                  | 2.772    | .8     |
| 8.00            | 2.4    |                          |  | 626  | 58                   | 3.674    | 1.1    |
| 10.00           | 3.0    |                          |  | 401  | 37                   | 4.610    | 1.4    |
| 12.00           | 3.6    |                          |  | 278  | 26                   | 5.512    | 1.6    |
| 14.00           | 4.2    |                          |  | 204  | 19                   | 6.447    | 1.7    |
| 16.00           | 4.8    |                          |  | 157  | 14                   | 7.365    | 2      |

### PHOTOMETRIC DATA FOR 5500K 25°

| Mounting Height |        | Cone of Light Tabulation |  | LUX  | Footcandles at Nadir | Diameter |        |
|-----------------|--------|--------------------------|--|------|----------------------|----------|--------|
| Feet            | Meters |                          |  |      |                      | Feet     | Meters |
| 4.00            | 1.2    |                          |  | 4253 | 395                  | 1.837    | .6     |
| 6.00            | 1.8    |                          |  | 1890 | 176                  | 2.772    | .8     |
| 8.00            | 2.4    |                          |  | 1063 | 99                   | 3.674    | 1.1    |
| 10.00           | 3.0    |                          |  | 680  | 63                   | 4.610    | 1.4    |
| 12.00           | 3.6    |                          |  | 473  | 44                   | 5.512    | 1.7    |
| 14.00           | 4.2    |                          |  | 347  | 32                   | 6.447    | 2      |
| 16.00           | 4.8    |                          |  | 266  | 25                   | 7.365    | 2.2    |

### PHOTOMETRIC DATA FOR 3000K 30°

| Mounting Height |        | Cone of Light Tabulation |  | LUX  | Footcandles at Nadir | Diameter |        |
|-----------------|--------|--------------------------|--|------|----------------------|----------|--------|
| Feet            | Meters |                          |  |      |                      | Feet     | Meters |
| 4.00            | 1.2    |                          |  | 1731 | 161                  | 1.985    | .6     |
| 6.00            | 1.8    |                          |  | 769  | 71                   | 2.969    | .9     |
| 8.00            | 2.4    |                          |  | 433  | 40                   | 3.953    | 1.2    |
| 10.00           | 3.0    |                          |  | 277  | 26                   | 4.938    | 1.5    |
| 12.00           | 3.6    |                          |  | 192  | 18                   | 5.938    | 1.8    |
| 14.00           | 4.2    |                          |  | 141  | 13                   | 6.923    | 2.1    |
| 16.00           | 4.8    |                          |  | 108  | 10                   | 7.907    | 2.4    |

### PHOTOMETRIC DATA FOR 5500K 30°

| Mounting Height |        | Cone of Light Tabulation |  | LUX  | Footcandles at Nadir | Diameter |        |
|-----------------|--------|--------------------------|--|------|----------------------|----------|--------|
| Feet            | Meters |                          |  |      |                      | Feet     | Meters |
| 4.00            | 1.2    |                          |  | 2940 | 273                  | 1.985    | .6     |
| 6.00            | 1.8    |                          |  | 1307 | 121                  | 2.969    | .9     |
| 8.00            | 2.4    |                          |  | 735  | 68                   | 3.953    | 1.2    |
| 10.00           | 3.0    |                          |  | 470  | 44                   | 4.938    | 1.5    |
| 12.00           | 3.6    |                          |  | 327  | 30                   | 5.938    | 1.8    |
| 14.00           | 4.2    |                          |  | 240  | 22                   | 6.923    | 2      |
| 16.00           | 4.8    |                          |  | 184  | 17                   | 7.907    | 2.4    |